



SO EVERYTHING KEEPS FLOWING

**Aseptic pipe
connections with the
*k-flex gasket system***





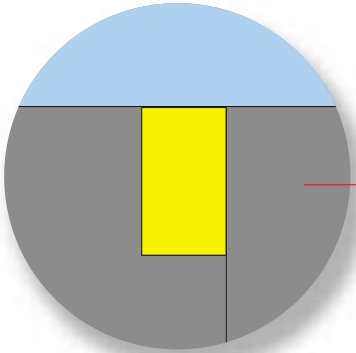
**The economical pipe connection
for the maximum in hygiene security
and cost reduction**

As an alternative to DIN 11864, Kieselmann aseptic pipe connections offer you considerable advantages from a technological as well as from an economic point of view. The patented *k-flex gasket system* ensures you not only a 100% hygiene security, but also a far greater range of uses as compared to elastomers. In addition, you can convert your existing DIN 11851 union into a sterile pipe connection at any time with an upgrade kit.



With the *k-flex gasket system*, for the first time you will have a uniform sealing system for all pipe connections, as well as for all applications, even thermally- and chemically-critical applications.

k-flex gasket system



CONSTRUCTION

- Clearance-free gasket placement
- Pre-set tension in the gasket through metal stop
- Non-shifting radial centring
- EHEDG certified for cleanability and sterilization
- Orbital-welded ends according to pipe DIN 11850 series 2

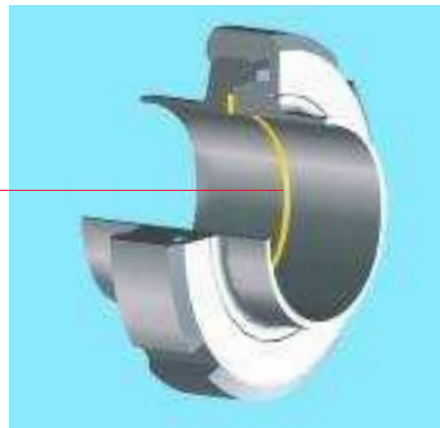
k-flex gasket system

- Universally applicable
- High chemical resistance
- FDA approved
- Resistant to aging
- 3 times the service life of elastomers
- Non-adhesive – therefore easy to clean
- Thermal load of up to 150° C



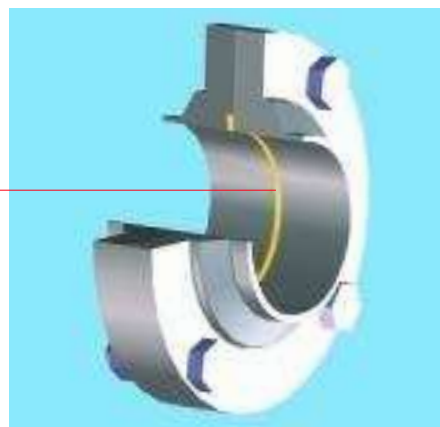
ASEPTO-STAR Upgrade kit for DIN 11851 unions

Simple and economical upgrade for a screw pipe connection, from DIN 11851 to an aseptic pipe connection



ASEPTO-STAR Pipe union

Flexible, economical connection to DIN 11851 liner and nuts



ASEPTO-STAR Small flange connection

Simple assembly, radial extension possible without required axial movement



**Quality and
responsibility
secure the result**

In more than 65 years of business history, Kieselmann has achieved a leading position in the production of processing components in stainless steel for the food-, chemical- and pharmaceutical industries. The business success is based mainly on the high quality awareness of the employees, coupled with a constantly growing performance demand.

Due to continuous product development and constant optimization of the organization, Kieselmann is ready today for the tasks of the future.

At the parent plant in Knittlingen as in numerous national and international branches, highly motivated and trained employees are at your disposal.

We are looking forward to seeing of service to you.



Quality control with program controlled machine



Most modern equipment for construction and production



Company owned test center for new developments and product control

KIESELMANN

TECHNOLOGY AND KNOW-HOW IN STAINLESS STEEL

Kieselmann GmbH · Paul-Kieselmann-Str. 4-10 · D-75438 Knittlingen
Phone: +49 (0) 70 43 / 371-0 · Fax: +49 (0) 70 43 / 371-125

Kieselmann Anlagenbau GmbH · Paul-Kieselmann-Str. 6 · D-75438 Knittlingen
Phone: +49 (0) 70 43 / 371-0 · Fax: +49 (0) 70 43 / 371-289