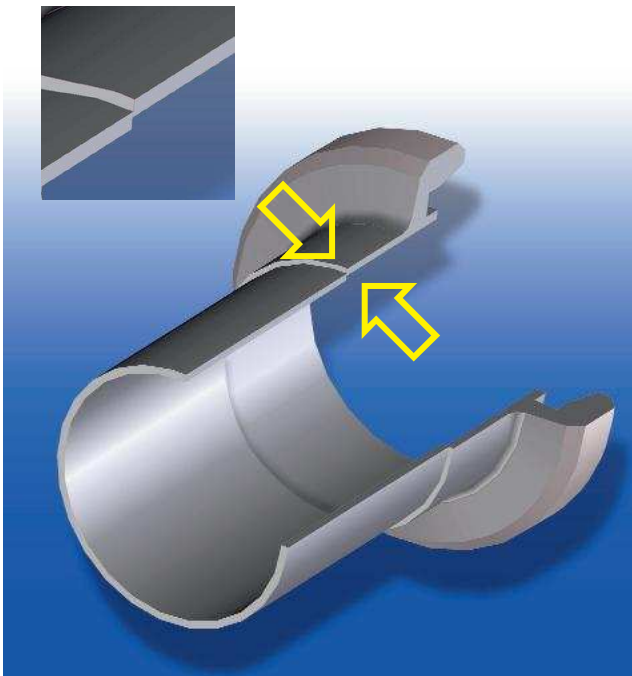


# PRODUCT INFORMATION

SO EVERYTHING KEEPS FLOWING

## How to avoid connection problems



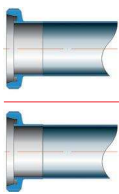
Did you already have to deal with pipe mismatch, sump, difficult centring and pipe connections respectively because of different geometries?

**Problems of that kind can be avoided!**

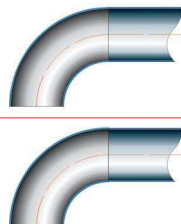
Connection problems with components, such as screwed pipe connections DIN 11851, pipe fittings DIN 11852, valves etc. with pipes according to DIN 11850 can be avoided by means of a targeted selection of the pipe dimensions. On the backside, we will show you the advantages and disadvantages of the historically developed welding geometries as a support for your decision.

We, the Kieselmann team, want to make it easy for you.

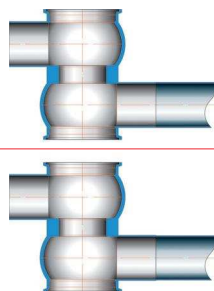
Screwed pipe connections / Flanges  
DIN 11851



Pipe fittings  
DIN 11852



Fittings



connected to:



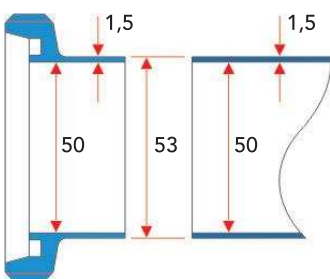
Pipe  
DIN 11850 series 2



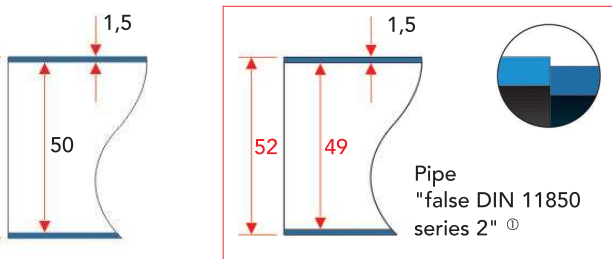
Pipe  
"false DIN 11850  
series 2" <sup>Ⓢ</sup>



## It's your choice...



screwed pipe connection  
DIN 11851  
(current)



Pipe  
DIN 11850  
series 2  
SC 53x1

### These problems can be avoided

- ▶ time-consuming centring
- ▶ interior mismatch in pipe connections (impermissible for aseptic application)
- ▶ difficult tongs positioning for orbital welding
- ▶ if necessary feeding of additional wire

### The suitable selection offers you

- ▶ proper pipe connections without edges
- ▶ time saving during the assembly
- ▶ satisfied customers

## Overview of suitable connections (●)

	Pipe connections DIN 11851 (old)		Pipe connections DIN 11851 (current) SC 53x1,5 - 1.4301	
	inside	outside	inside	outside
Pipe DIN 11850 series 1	●	-	●	-
Pipe DIN 11850 series 2	●	-	●	●
Pipe DIN 11850 series 3	●	-	●	-
Pipe "DIN 11850 series 2" (inside diameter 49) <sup>①</sup>	-	-	-	-

Table according to example DN 50

All specifications are also valid for flange connections and fittings.

<sup>①</sup> this "false" series 2 does **not** comply with DIN 11850



Kieselmann GmbH · Paul-Kieselmann-Str. 4-10 · 75438 Knittlingen-Germany  
Phone +49 (0)7043 371-0 · Fax +49 (0)7043 371-125

Kieselmann Anlagenbau GmbH · Paul-Kieselmann-Str. 6 · 75438 Knittlingen-Germany · Phone +49 (0)7043 371-0 · Fax +49 (0)7043 371-289