

STAINLESS STEEL BALL CHECK VALVE ALL POSITIONS PN400



Size : DN 1/4" to 1"
Ends : Female-Female BSP or NPT
Min Temperature : - 20°C
Max Temperature : + 180°C
Max Pressure : 400 Bars
Specifications : Ball check valve with spring
All positions
Metal / metal thickness

Materials : Stainless steel

STAINLESS STEEL BALL CHECK VALVE ALL POSITIONS PN400

SPECIFICATIONS :

- Ball check valve with spring
- All positions (respect the flow direction indicated by the arrow)
- Metal / metal tightness
- Stainless steel
- Class 6000 Psi

USE :

- Chemical and pharmaceutical industries, petrochemical industries, hydraulic installation, compressed air
- Min Temperature Ts : - 20°C
- Max Temperature Ts :+ 180°C
- Max pressure Ps : 400 bars

OPENING PRESSURE (bar) :

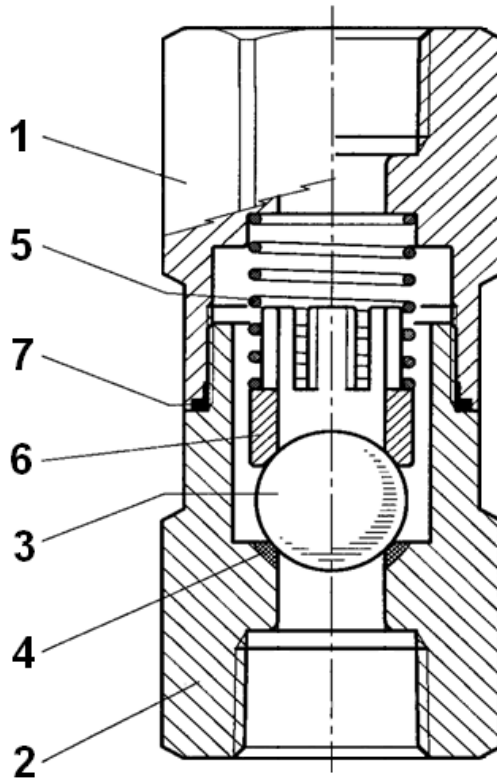
- Opening pressure : 1 bar

RANGE :

- Female / female threaded BSP cylindrical **Ref. 388** from DN 1/4" to DN 1"
- Female / female threaded NPT **Ref. 389** from DN 1/4" to DN 1"

STAINLESS STEEL BALL CHECK VALVE ALL POSITIONS PN400

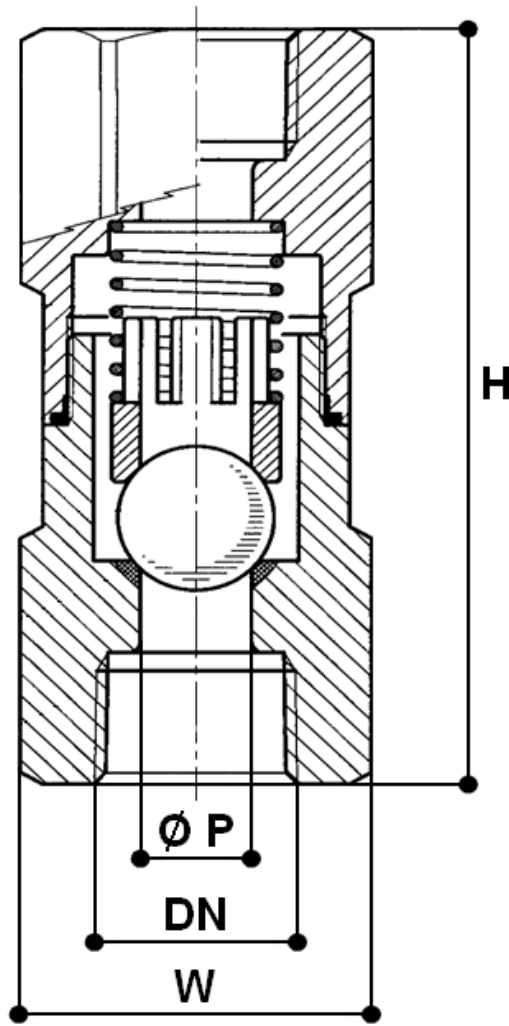
MATERIALS :



Item	Designation	Materials
1	Body	SS 316
2	Nipple	SS 316
3	Ball	SS 316
4	Seat	SS 316
5	Spring	SS 304
6	Guide	SS 316
7	Gasket	FKM

STAINLESS STEEL BALL CHECK VALVE ALL POSITIONS PN400

SIZE (in mm):



Ref.	DN	1/4"	3/8"	1/2"	3/4"	1"
388 / 389	Ø P	8	8	10	14	16
	H	90	90	90	130	140
	W (on flat)	32	32	32	41	50
	Weight (Kg)	0.500	0.480	0.450	0.880	1.50

STAINLESS STEEL BALL CHECK VALVE ALL POSITIONS PN400

STANDARDS :

- Fabrication according to ISO 9001 : 2008
- DIRECTIVE 97/23/CE : CE N° 0496
Risk category III Module H
- Construction according to ISO 15761
- Materials according to NACE MR 01-75
- BSP cylindrical threaded ends according to ISO 228-1
- NPT threaded ends according to ANSI B1.20.1

ADVICE : Our opinion and our advice are not guaranteed and SFERACO shall not be liable for the consequences of damages.
The customer must check the right choice of the products with the real service conditions.

STAINLESS STEEL BALL CHECK VALVE ALL POSITIONS PN400**INSTALLATION INSTRUCTIONS****GENERAL GUIDELINES :**

- Ensure that the check valves to be used are appropriate for the conditions of the installation (type of fluid, pressure and temperature).
- Be sure to have enough valves to be able to isolate the sections of piping as well as the appropriate equipment for maintenance and repair.
- Ensure that the check valves to be installed are of correct strength to be able to support the capacity of their usage.
- **Installation of all circuits should ensure that their function can be automatically tested on a regular basis (at least two times a year).**

INSTALLATION INSTRUCTIONS :

- **Before installing the check valves, clean and remove any objects from the pipes** (in particular bits of sealing and metal) which could obstruct and block the check valves.
- **Ensure that both connecting pipes either side of the check valve (upstream and downstream) are aligned (if they're not, the valves may not work correctly).**
- **Make sure that the two sections of the pipe (upstream and downstream) match, the check valve unit will not absorb any gaps. Any distortions in the pipes may affect the tightness of the connection, the working of the check valve and can even cause a rupture.** To be sure, place the kit in position to ensure the assembling will work.
- **If sections of piping do not have their final support in place, they should be temporarily fixed. This is to avoid unnecessary strain on the check valve.**
- **Fluids in the check valve must not contain solid objects (it could damaged the seat).**
- If there is a direction changing or if there's another material, it's better to take away the check valve so that it is outside the turbulence area (**between 3 and 5 times the ND before and after**).
- After a pump please refer to norm NF CR 13932 to install the check valve.