



## Operating Instruction:

**GEMBRA**  
**Aseptic Double Seat Valve**  
**Typ:582x**



**Kieselmann GmbH**  
Paul-Kieselmann-Str. 4-10 · 75438 Knittlingen  
Telefon +49 (0) 7043 371-0 · Fax: +49 (0) 043 371-125  
sales@kieselmann.de · www.kieselmann.de



## 1. List of contents

1.	List of contents .....	2
2.	Information for your safety .....	3
3.	Marking of security instructions in the operating manual .....	3
4.	Valve type .....	4
4.1	Aseptic Double Seat Valve GEMBRA Typ 582x .....	4
4.2	x = Housing variations .....	4
5.	Safety instructions .....	5
5.1	Field of application .....	5
5.2	General safety instructions .....	5
5.3	General notes .....	5
6.	Function .....	6
6.1	Functional description .....	6
7.	Installation informations .....	6
7.1	Installation instructions .....	6
7.2	Welding guidelines .....	6
8.	Maintenance .....	7
8.1	Maintenance .....	7
8.2	Cleaning .....	7
8.3	Cleaning flow rate .....	7
9.	Technical data .....	8
10.	Control system - and interrogation system .....	8
10.1	Special features valve control -optional- .....	8
10.2	Proximity switch receiver set -optional- .....	8
11.	Pneumatic valve actuation .....	9
12.	Disassembly and assembly .....	10
12.1	Disassembly - sealing .....	10
12.2	Assembly .....	10
12.3	Assemble K-Flex - seal (D1) .....	10
12.4	Mounting sealing ring .....	11
12.5	Mounting diaphragm (D2) .....	11
12.6	Mounting diaphragm (D5) .....	12
12.7	Join together valve construction groups .....	12
12.8	Mounting valve insert in housing (VG) .....	12
13.	Drawing .....	13
14.	Dimensions .....	13
15.	Drawing - valve insert DN40 - DN100 (Art.-No. 5820 xxx 000-040) .....	14
16.	Spare parts list .....	15
16.1	Aseptic Double Seat Valve GEMBRA .....	15
16.2	Valve insert - Aseptic Double Seat Valve GEMBRA .....	16
17.	Declaration of conformity .....	18



## 2. Information for your safety

We are pleased that you have decided for a high-class KIESELMANN product. With correct application and adequate maintenance, our products provide long time and reliable operation.




Before installation and initiation, please carefully read this instruction manual and the security advices contained in it. This guarantees reliable and safe operation of this product and your plant respectively. Please note that an incorrect application of the process components may lead to great material damages and personal injury.

**In case of damages caused by non observance of this instruction manual, incorrect initiation, handling or external interference, the warranty will lapse!**

Our products are produced, mounted and tested with high diligence. However, if there is still a reason for complaint, we will naturally try to give you entire satisfaction within the scope of our warranty. We will be at your disposal also after expiration of the warranty. In addition, you will also find all necessary instructions and spare part data for maintenance in this instruction manual. If you don't want to carry out the maintenance by yourself, our KIESELMANN service team will naturally be at your disposal.

## 3. Marking of security instructions in the operating manual

Hints are available in the chapter "safety instructions" or directly before the respective operation instruction. The hints are highlighted with a danger symbol and a signal word. Texts beside these symbols have to be read and adhered to by all means. Please continue with the text and with the handling at the valve only afterwards.

Symbol	Signal word	Meaning
	<b>DANGER</b>	Imminent danger which may cause severe personal injury or death.
	<b>ATTENTION</b>	Dangerous situation which may cause slight personal injury or material damages.
	<b>NOTE</b>	Marks application hints and other information which is particularly useful.

## 4. Valve type

### 4.1 Aseptic Double Seat Valve GEMBRA Type 582x

Diaphragm sealing, valve plate liftable (1.4404 / AISI316L)

Article no.	Seal	Designation
5820 DN 000 - 041 - 609 - 680	PTFE/K-flex	Valve insert without feedback Valve insert with ASI-Bus ABSL 3MV Valve insert with ASI-Bus/100/ABSL-TRM 3MV
5820 DN 030 - 041 - 609 - 680	PTFE/EPDM	Valve insert without feedback Valve insert with ASI-Bus ABSL 3MV Valve insert with ASI-Bus/100/ABSL-TRM 3MV
582x DN 405 - 041 - 609 - 680	PTFE/K-flex	Drain- and steam valve with proximity switch mount. / PT100 ASI-Bus ABSL 3MV and drain- and steam valve with proximity switch mount. / PT100 ASI-Bus/100/ABSL-TRM 3MV and drain- and steam valve with proximity switch mount. / PT100
582x DN 400 - 041 - 609 - 680	PTFE/K-flex	PT100 3x ASI-Bus ABSL (1x 3MV und 2x 1MV) / PT100 3x ASI-Bus/100/ABSL-TRM (1x 3MV und 2x 1MV) / PT100
582x DN 410 - 041 - 609 - 680	PTFE/EPDM	PT100 3x ASI-Bus ABSL (1x 3MV und 2x 1MV) / PT100 3x ASI-Bus/100/ABSL-TRM (1x 3MV und 2x 1MV) / PT100

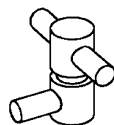
different Housing variations

582x DN 534 - 041 - 609 - 680	PTFE/K-flex	DN50-DN65 / PT100 DN50-DN65 / 3x ASI-Bus ABSL (1x 3MV und 2x 1MV) / PT100 DN50-DN65 / 3x ASI-Bus/100/ABSL-TRM (1x 3MV und 2x 1MV) / PT100
582x DN 544 - 041 - 609 - 680	PTFE/K-flex	DN65-DN80 / PT100 DN65-DN80 / 3x ASI-Bus ABSL (1x 3MV und 2x 1MV) / PT100 DN65-DN80 / 3x ASI-Bus/100/ABSL-TRM (1x 3MV und 2x 1MV) / PT100
582x DN 535 - 041 - 609 - 680	PTFE/EPDM	DN50-DN65 / PT100 DN50-DN65 / 3x ASI-Bus ABSL (1x 3MV und 2x 1MV) / PT100 DN50-DN65 / 3x ASI-Bus/100/ABSL-TRM (1x 3MV und 2x 1MV) / PT100
582x DN 545 - 041 - 609 - 680	PTFE/EPDM	DN65-DN80 / PT100 DN65-DN80 / 3x ASI-Bus ABSL (1x 3MV und 2x 1MV) / PT100 DN65-DN80 / 3x ASI-Bus/100/ABSL-TRM (1x 3MV und 2x 1MV) / PT100

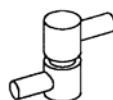
DN = Dimension nominal z.B. 5823 050 410-041  
 x = Housing variations (see 4.2)  
 MV = Solenoid valve  
 PT = Temperature probe  
 TRM = Feedback of seatleft

### 4.2 x = Housing variations

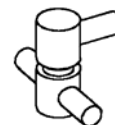
5821  
SS-S



5822  
S-S



5823  
S-SS



5824  
SS-SS





## 5. Safety instructions

### 5.1 Field of application

Based upon its functions, the double seat valve is suitable for use in the food and beverages, in pharmaceutical, biotechnological and chemical industries. It is used mainly in combinations with several other double seat valves for the purpose of emptying and filling containers with the possibility of connecting several pipes to one tank. The valve is designed for media characteristics according to article 9 of DGRL 97/23/EG for group 2 (media condition gaseous or liquid).



#### ATTENTION

- To avoid danger and damage, the fitting must be used in accordance with the safety instructions and technical data contained in the operating instructions.

### 5.2 General safety instructions



#### DANGER

- Danger of crushing or amputating limbs.  
Do not reach into the valve housing when in pneumatic mode.
- When removing the valve or valve components from the system, there is a danger of injury from escaping liquids or gases.  
Only dismantle when you are absolutely sure that the system is depressurized and free of liquids and gases.
- Danger of scalding and burns to parts of your body from liquids escaping from the leakage drain Fig. 1 /Page 6.  
The splash protection fixtures must always be attached to the leakage drain.
- The actuation can be dismantled.  
Danger of injury by prestressed pressurespring. Observe separate installation instructions.
- We recommend having the manufacturer do the maintenance work required for the actuation.



#### ATTENTION

- To avoid air leaking, only use pneumatic connection parts that have an O-ring seal facing the even surface.
- When mounting the clamps, the max. torque must not be exceeded (see technical Data).
- Steps should be taken to ensure that no external forces are exerted on the fitting.

### 5.3 General notes



#### NOTE

- All data are in line with the current state of development. Subject to change as a result of technical progress.

## 6. Function

### 6.1 Functional description

Due to the combined diaphragm sealing at a locking and leakage space respectively, safe separation of media is reliably guaranteed. Cleaning and sterilisation of the locking and leakage space can be carried out inline via lifting/clocking of one the valve seats.

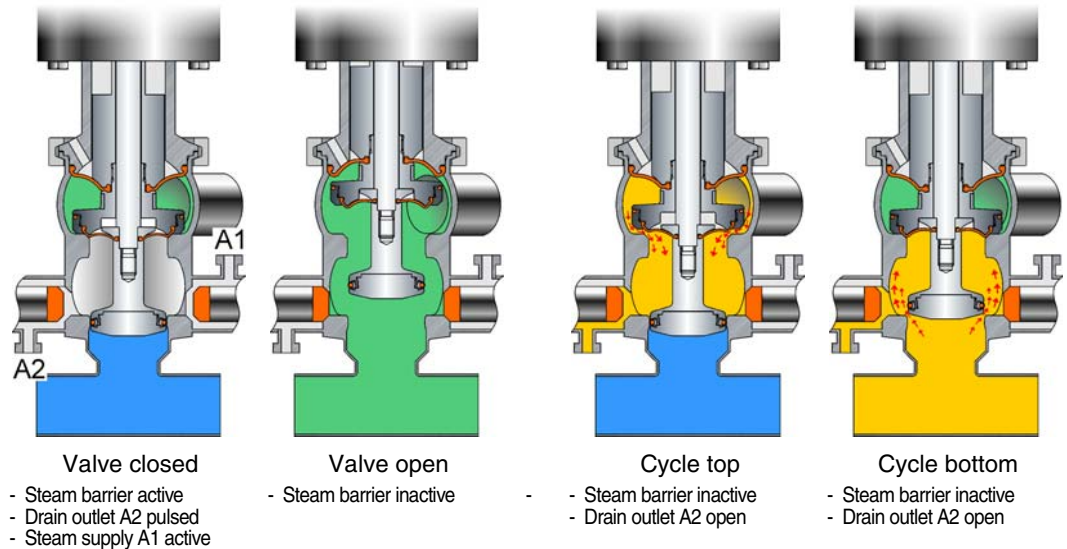


Fig. 1

## 7. Installation informations

### 7.1 Installation instructions

The valve must be installed vertically with the actuator at the upwards. Liquid must be able to flow freely from the valve housing.

### 7.2 Welding guidelines

- Sealing elements integrated in weld components must generally be removed prior to welding. To prevent damage, welding should be undertaken by certified personnel (EN287).
- Use the TIG (tungsten inert gas) welding process.



#### NOTE

Impurities can cause damage to the seals. Clean inside areas prior to assembly.



## 8. Maintenance

### 8.1 Maintenance

The maintenance intervals depend on the operating conditions

- temperature, temperature-intervals
- medium and cleaning medium
- pressure
- opening frequency

We recommend replacing the seals every 2 years. The user, however should establish appropriate maintenance intervals according to the condition of the seals.



#### NOTE

##### Seal material

EPDM; Viton; K-Flex  
 NBR; HNBR; Silicone  
 Thread

→  
 →  
 →

##### Lubricants

Klüber Paraliq GTE  
 Klüber Paraliq GB 363  
 Teflongrease Interflon

### 8.2 Cleaning

The upper and lower process housing is cleaned via pipeline cleaning. As part of the cleaning program, the leakage chamber and the drain pipe can be cleaned by cycling the valve discs. The valve disc shaft is also cleaned when the upper valve disc is cycled.

### 8.3 Cleaning flow rate

#### ► Leakage chamber - Cleaning parameters<sup>a</sup>

Cleaning step	Aerate valve disc		Cleaning flow rate - clocking at the top or at the bottom (m <sup>3</sup> /h /3bar)				
			DN40	DN50	DN65	DN 80	DN 100
Pre-Rinse	-	clocking at top					
Wash 80°C	3 x 5 sec.						
Intermediate rinse	2 x 5 sec.	clocking at bottom					
Acid	3 x 5 sec.						
Final rinse	2 x 5 sec.						

*a. Recommended for the Beverage Industry*



## 9. Technical data

<b>Model:</b>	Double seat valve						
<b>Valve size:</b>	DN 40 - 80						
<b>Connection:</b>	Welding end DIN11850 serie 2						
<b>Temperature range:</b>	Ambient temperature: +4° to +45°C Product temperature: +0° to +95°C depending on the medium Sterilization temperature: +140°C short time (30min)						
<b>Operations pressure:</b>	DN40 - 65 = max. 10 bar DN80 = max. 8 bar						
<b>Pressure resistance:</b>	30 bar						
<b>Vacuum:</b>	1,5 - 10 <sup>-6</sup> mbar x 1/5 (test pressure 0,5mbar)						
<b>Control air pressure:</b>	5,5 - 8,0 bar						
<b>Quality of control air:</b>	ISO 8573-1 : 2001 quality class 3						
<b>Material:</b>	<b>in product contact</b>	<b>not in product contact</b>					
<b>Stainless steel:</b>	1.4404 / AISI316L	1.4301 / AISI304					
<b>Surfaces:</b>	RA ≤0,8µm e-pol.	metallic bright, e-pol.					
<b>Seals:</b>	K-Flex (FDA)	EPDM					
<b>Tightening moment:</b>	Retaining clamp: Dimension nominal						
	DN 40	DN 50	DN 65	DN 80			
Torque in Nm	15	15	25	20			
<b>KV-value (m<sup>3</sup>/h):</b>	DN 40	DN 50	DN 65	DN 80			
<b>Direction of flow:</b>							
transition-flow at top ⇄							
transition-flow at bottom ⇄							
from bottom to top ↗							
from top to bottom ↘							
<b>Valve lift (mm)</b>	DN 40	DN 50	DN 65	DN 80			
Valve stroke	12	12	12,5	15			
Upper seat lift	2	2	2	2			
Lower seat lift	8	8	8	8			
steam/drain valve stroke	12	12	12,5	15			

## 10. Control system - and interrogation system

### 10.1 Special features valve control -optional-

Optionally, modular valve control systems can be installed to the actuator for reading and actuating valve positions. The standard version is a closed system with SPS or ASI-bus switch-on electronics, and integrated 3/2-way solenoid valves. For tough operating conditions we recommend employing a high-grade steel cover.

### 10.2 Proximity switch receiver set -optional-

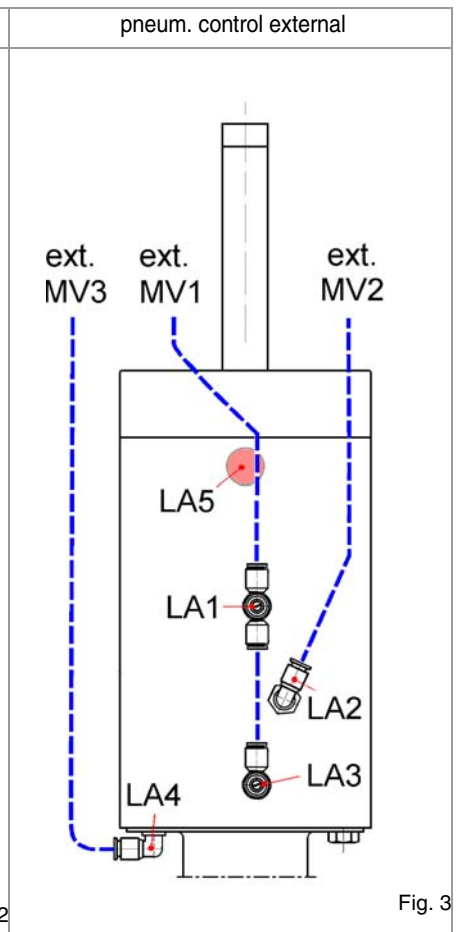
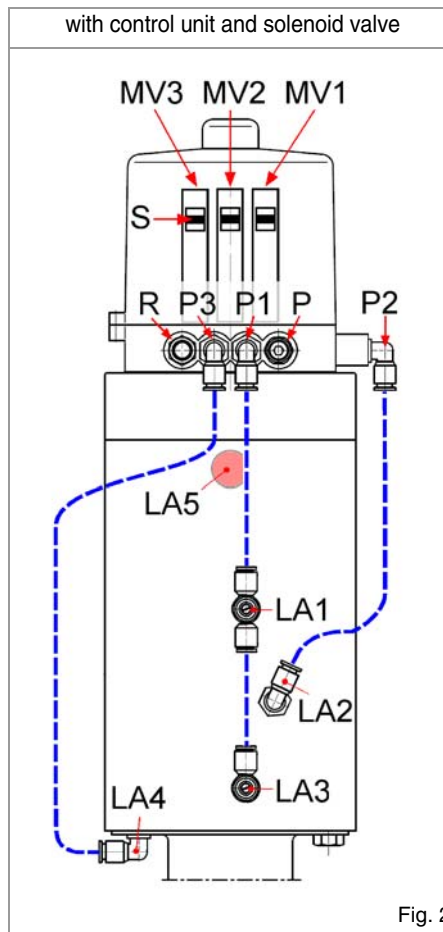
For the acquisition of the valve positions over inductive initiators, a limit switch support is mounted on the actuation. The enquiry takes place over the position of the piston rod.



**11. Pneumatic valve actuation**

Valve function	Pneum. control ↳ with integrated (MV) in control unit (Fig. 2 /Page 9)	Pneum. control ↳ with external (MV) (Fig. 3 /Page 9)
Valve stroke valve "OPEN"	control air feed P ↳ MV1 ↳ P1/LA1 & LA3	control air feed ext.MV1 ↳ LA1 & LA3
Valve stroke valve "CLOSED"	de-aeration P1/LA1 & LA3 ↳ MV1 ↳ R valve is closing by spring	de-aeration LA1 & LA3 ↳ ext.MV1 valve is closing by spring
Lower seat lift	AUF = control air feed P ↳ MV2 ↳ P2/LA2	AUF = control air feed ext.MV2 ↳ LA2
	ZU = de-aeration P2/LA2 ↳ MV2 ↳ R valve is closing by spring	ZU = de-aeration LA2 ↳ ext.MV2 valve is closing by spring
Upper seat lift	AUF = control air feed P ↳ MV3 ↳ P3/LA4	AUF = control air feed ext.MV3 ↳ LA4
	ZU = de-aeration P3/LA4 ↳ MV3 ↳ R valve is closing by spring	ZU = de-aeration LA4 ↳ ext.MV3 valve is closing by spring

MV = solenoid valve  
 MV1 = valve stroke  
 MV2 = lower seat lift  
 MV3 = upper seat lift  
 R = de-aeration, sound absorber  
 P = compressed-air inlet (control unit)  
 LA = compressed-air inlet (actuation)  
 S = slide switch - manual control (solenoid valves)



## 12. Disassembly and assembly

### 12.1 Disassembly - sealing



#### NOTE

Dismount control air, steam, condensate pipelines and electric lines, complete proximity switch mounting or control heads.

#### ➤ Assembling tool kit

NW	Article no.:
N40	xxxx.xxx.xxx-xxx
DN50	
DN65	
DN80	
DN100	

- Screw off retaining clamp (9).
- ⚠ The valve insert will lift up approx. 4mm.
- Carefully pull out valve insert from valve housing (VG) without rotary movement.
- Screw off piston plate (1) while holding against at width across flats (SW2).
- Dismount sealing (D1).
- Screw off piston (2) at width across flats (SW2) while holding against with round rod 8mm at drilling (B2).
- Insert construction group upper piston plate at spanner flat (SW4) in a bench vice with protection braces with little clearance. (Caution! Do not stretch in order that thrust collar (4) does not deform. See fig. 4/page 9).
- Loosen piston plate upper (5) at spanner flat (SW3) from thrust collar (4).
- Carefully put over diaphragm (D2) from piston plate upper (5).
- Pull off back-up ring (3) axially from piston (2).
- Remove diaphragm (D2) and back-up ring (3).
- Screw off piston plate upper (5) with spanner flat (SW3) while holding against with round rod 8mm at drilling (B).
- Dismount plain bearing (D4).
- Put over and dismount diaphragm (D5) from lantern (8).
- Screw off locking piston (10).

Loosen hexagon screws (11) and pull off lantern (8) in direction X.  
Screw off piston upper (7) by means of an adjustable hook wrench or strap wrench while holding against with round rod 8mm at drilling (B2).

Screw off piston rod (12).

Dismount sealings: Pos. (D7), (D8), (D9), (D10), (D11), (D12).

#### ➤ Construction group piston plate (5)

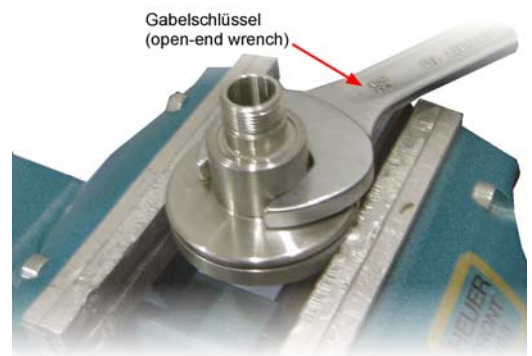


Fig. 4

### 12.2 Assembly

Assemble in reverse order.

Thoroughly clean and slightly lubricate mounting areas and running surfaces.

#### ➤ Lubricants

• EPDM; Viton; K-Flex  
Klüber Paraliq GTE 703

• NBR; HNBR; Silikon  
Klüber Paraliq GB 363

• Thread  
Teflongrease Interflon

### 12.3 Assemble K-Flex - seal (D1)

Fit the O-Ring into the K-flex seal.

Fit the ring shells as shown in Fig. 5 /Page 10

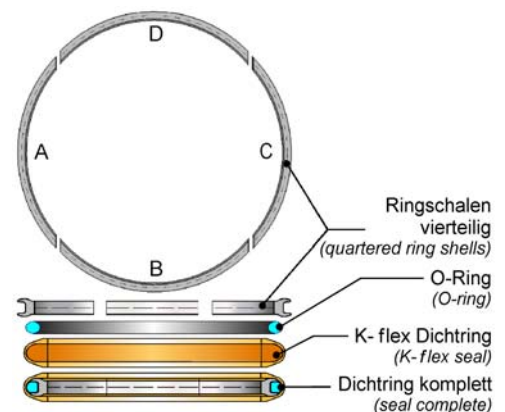


Fig. 5

➤ **eccentric ring**

DN Article no.:  
N40 5620 051 025-020  
DN50 5620 051 025-020  
DN65 5620 065 025-020  
DN80 5620 080 025-020  
DN100 -

**12.4 Mounting sealing ring**

- Screw together piston plate (1) and piston (2) manually to metallic stop position without sealing ring and carry out colour marking (Fig. 6/ page 10).
- Once again screw off piston plate (1) from piston (2).
- Push sealing (D1) on piston (2) and manually screw the piston plates (1) into the pistons (2)
- For centring sealing (D1) on piston (1), the centring ring has to be placed as shown in Fig. 6/ page 10.
- Stretch construction group 1 at flat valve (SW1) with soft braces in bench vice and screw in piston (2) over flat valve (SW2) until marking..

➤ **Construction group 1**

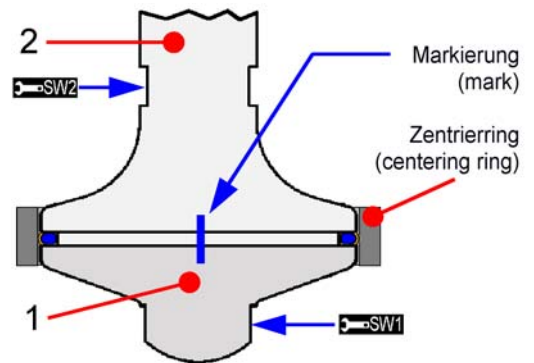


Fig. 6

**12.5 Mounting diaphragm (D2)**

- Screw together manually thrust collar (4) and piston plate upper (5) without O Ring (D3) and diaphragm (D2) until metallic stop position and carry out colour marking (Fig. 7/page 10).
- Once again screw off thrust collar (4) from piston plate upper (5).
- Insert O Ring (D3) into thrust collar (4).
- Install plain bearing (D4) in piston plate upper (5)
- Insert back up ring in piston plate upper (5).
- Put diaphragm (D2) on piston plate upper (5).
- Screw on thrust collar (4) on piston plate upper (5).

➤ **Tighten construction group 2**

- ⚠ Carefully fix the construction group in bench vice at width across flats (SW4). Screw together the construction group over flat valve (SW3) until marking.



**NOTE**

The thrust collar (4) deforms in case of a too high radial tension force.

➤ **Construction group 2**

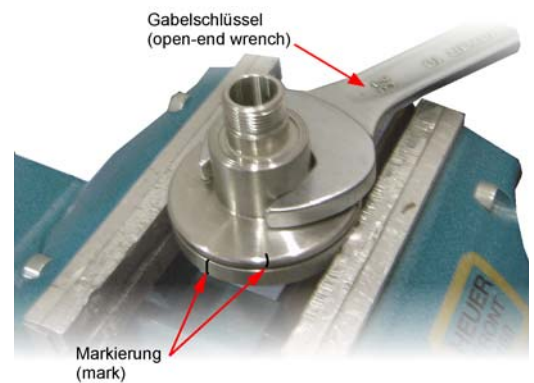


Fig. 7

### 12.6 Mounting diaphragm (D5)

- Stretch piston upper (7) in bench vice with protection braces.
- Mount plain bearing (D4) in piston upper (7).
- Put diaphragm on construction group 2 and screw in into piston upper (7) until metallic stop position (Fig. 8/Page 11).

### 12.7 Join together valve construction groups

- Build in sealings (D7), (D8), (D9), (D11), (D12) and plain bearing (D13) and piston guide bush (D6).
- Screw in piston rod (12) until metallic stop position in actuator (12)
- Build in lantern.



#### NOTE

When mounting the lantern on the actuator, please note that the through hole (B1) for compressed air complies with the drilling for air connection LA4. (Fig. 9/page 11).

- Apply hexagon screws (11) only in order to avoid tensions while construction group 3 is built in.
- Screw in complete construction group 3 in piston rod (12) until metallic stop position while holding against drilling (B2) by means of a round bar steel.
- Screw in construction group 1 in spindle (6).
- "Screw threaded connection (G1) with screw locking device so that it can be unlocked (e.g. Loctite 243).
- Centre spindle (6), piston rod (12) and lantern (8) so that the groove in the spindle (6) and the thread in the piston rod (12) are on top of each other. (See fig. 8).
- Screw in set screw (10).
- Pull tight hexagon screws (11)
- Connect control air to (LA4), piston plate upper (5) is clocked.
- Put diaphragm (D5) on lantern (8).

### 12.8 Mounting valve insert in housing (VG)

- Build in complete valve insert in housing (VG).
- Mount and pull tight retaining clamp (9).
- "Note turning moment (See technical data)
- Dismantle control air from (LA4).
- "Piston plate upper (5) moves back to initial position.

#### ➤ Construction group 3

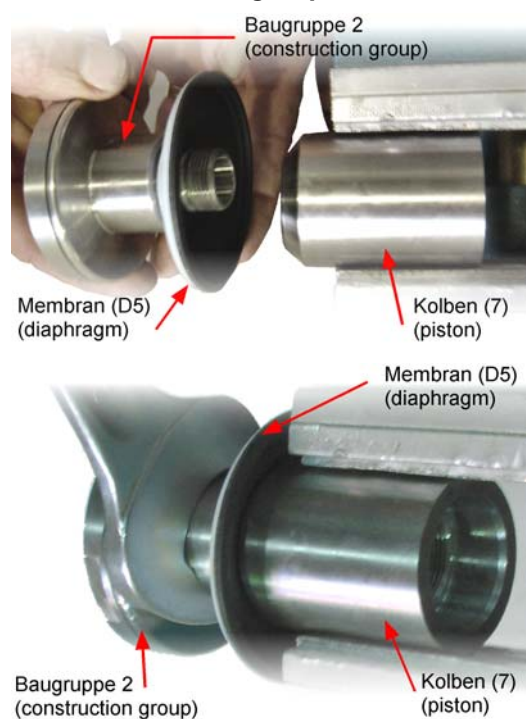


Fig. 8

#### ➤ Detail compressed-air supply LA4



Fig. 9

#### ➤ Assemble construction group 3

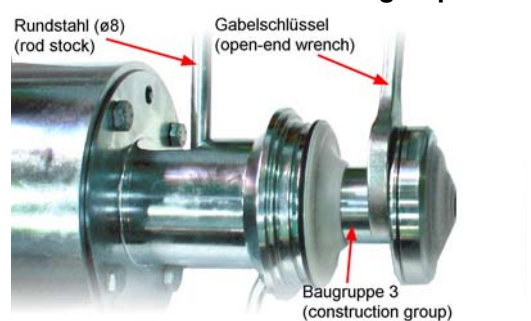


Fig. 10

### 13. Drawing

- P = Central air supply
- P1 = Control air - Valve stroke
- P2 = Control air - Lower seat lift
- P3 = Control air - Upper seat lift

- LA1= Valve stroke (controlled exhaust)
- LA2= Lower seat lift (via control head base)
- LA3= Valve stroke (controlled exhaust)
- LA4= Upper seat lift

- AE = Control head
- L = Leakage tell taue
- VE = Valve insert
- VG = Valve housing

- 9 = Retaining clamp
- 14 = Hexagon socket screw
- 15 = Drain valve
- 16 = Steam valve
- D14= K-flex seal

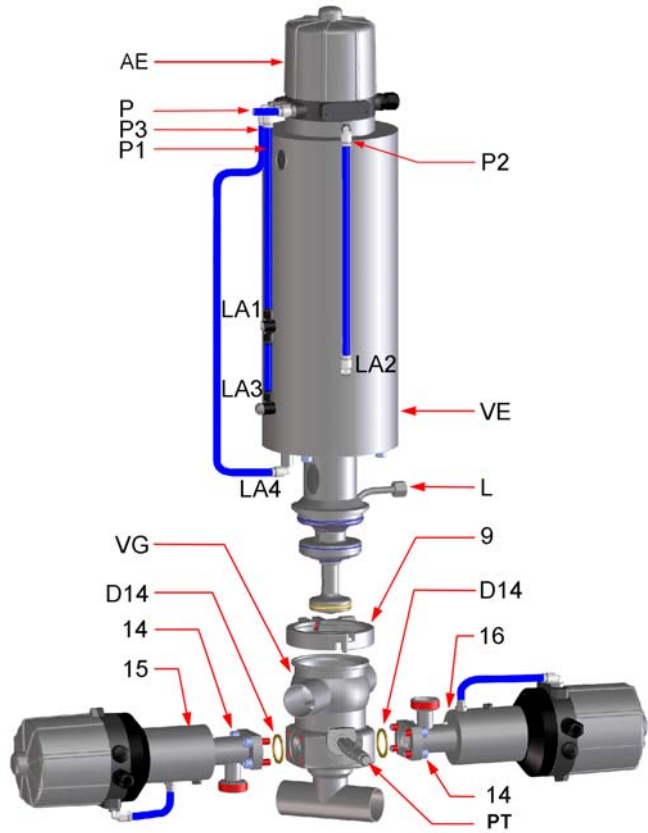


Fig. 11

### 14. Dimensions

Dimension nominal	DN40	DN 50	DN 65	DN 80
D1	ø 41x1,5	ø 53x1,5	ø 70x2	ø 85x2
D2	ø 41x1,5	ø 53x1,5	ø 70x2	ø 85x2
D3	134	134	170	170
D4	ø 19x1,5	ø 19x1,5	ø 19x1,5	ø 19x1,5
L1	689	689	710	733
L2	168	168	220	230
L3	168	168	220	230
L4	135	135	155	190
L5	584	573	654	693
size when completed with control head				
L6	731	749	858	938

10mm clearance was added to the final dimension.

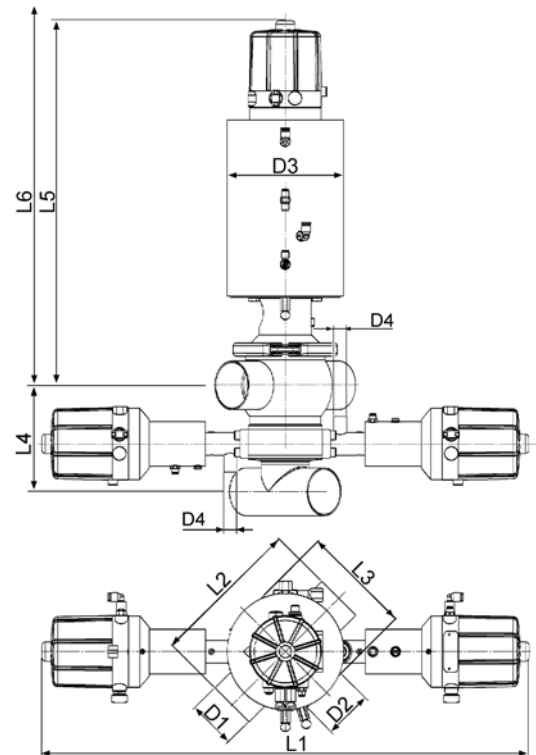


Fig. 12

**15. Drawing - valve insert DN40 - DN100 (Art.-No. 5820 xxx 000-040)**

- 1) Piston plate
- 2) Piston
- 3) Back-up ring
- 4) Thrust collar
- 5) Piston plate upper
- 6) Spindle
- 7) Pisten upper
- 8) Lantern
- 9) Retaining clamp
- 10) Set screw
- 11) Hexagon screw
- 12) Piston rod
- 13) Actuator

- D1) Seal
- D2) Diaphragm
- D3) O-Ring
- D4) Plain bearing
- D5) Diaphragm
- D6) Piston guide bush
- D7) O-Ring
- D8) O-Rings
- D9) O-Ring
- D10) O-Ring
- D11) O-Rings
- D12) O-Ring
- D13) Plain bearing

G1 = Lock nut (Loctite 243)  
 G2 = Lock nut (Loctite 243)

LA1 + LA3 = Valve stroke  
 LA2 = Lower seat lift  
 LA4 = Upper seat lift  
 LA5 = Deaeration optional connection for pressure locking.

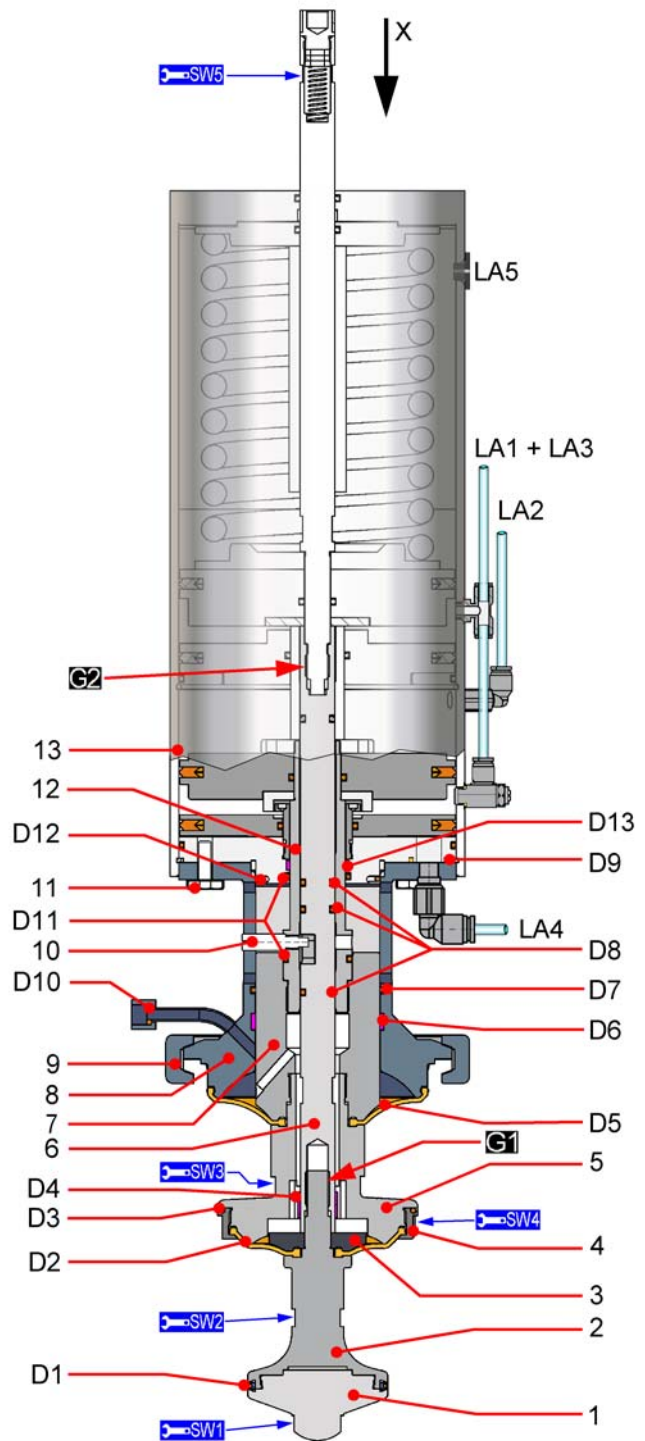


Fig. 13

➤ **Opening of the spanner**

	SW1	SW2	SW3	SW4	SW5
DN40	19	17	32	70	17
DN50	19	17	32	70	17
DN65	19	27	42	90	17
DN80	27	27	46	110	17

## 16. Spare parts list

### 16.1 Aseptic Double Seat Valve GEMBRA

Valve	Valve insert		Drain valve (16)		Steam valve (15)		IG Pulse generator	PT Temperature probe	VG Valve housing
	Insert	Control - or Interrogation system	Valve	Control - or Interrogation system	Valve	Control - or Interrogation system			
5820 DN 000 - 041		-----	-----	-----	-----	-----	-----	-----	-----
5820 DN 000 - 609	5820 DN 000-041	5630 203 050-000	-----	-----	-----	-----	5820 DN 005-000	-----	-----
5820 DN 000 - 680		5630 203 050-000	-----	-----	-----	-----	5820 DN 005-000	-----	-----
582x DN 400 - 041		-----	5822 050 020-021	-----	5822 050 010-021	-----	-----	6213 500 001-040	-----
582x DN 400 - 609	5820 DN 000-041	5630 203 050-000	5822 050 020-021	5630 501 050-000	5822 050 010-021	5630 501 050-000	5820 DN 005-000	6213 500 001-040	582x DN 401-041
582x DN 400 - 680		5630 203 080-000	5822 050 020-021	5630 501 080-000	5822 050 010-021	5630 501 080-000	5820 DN 005-000	6213 500 001-040	-----
582x DN 405 - 041		-----	5822 050 025-021	5822 050 016-021	5822 050 015-021	5822 050 016-021	-----	6213 500 001-040	-----
582x DN 405 - 609		5630 203 050-000	5822 050 025-021	5822 050 016-021	5822 050 015-021	5822 050 016-021	5820 DN 005-000	6213 500 001-040	582x DN 401-041
582x DN 405 - 680		5630 203 080-000	5822 050 025-021	5822 050 016-021	5822 050 015-021	5822 050 016-021	5820 DN 005-000	6213 500 001-040	-----
582x DN 410 - 041		-----	5822 050 020-021	-----	5822 050 010-021	-----	-----	6213 500 001-040	-----
582x DN 410 - 609	5820 DN 000-041	5630 203 050-000	5822 050 020-021	5630501080-000	5822 050 010-021	5630501080-000	5820 DN 005-000	6213 500 001-040	582x DN 401-041
582x DN 410 - 680		5630 203 080-000	5822 050 020-021	5630501080-000	5822 050 010-021	5630501080-000	5820 DN 005-000	6213 500 001-040	-----
582x DN 534 - 041		-----	-----	-----	-----	-----	-----	6213 500 001-040	-----
582x DN 534 - 609	5820 DN 000-041	5630 203 050-000	5822 050 020-021	5630 501 050-000	5822 050 010-021	5630 501 050-000	5820 DN 005-000	6213 500 001-040	582x DN 401-041
582x DN 534 - 680		5630 203 080-000	5822 050 020-021	5630 501 080-000	5822 050 010-021	5630 501 080-000	5820 DN 005-000	6213 500 001-040	-----
582x DN 535 - 041		-----	-----	-----	-----	-----	-----	6213 500 001-040	-----
582x DN 535 - 609	5820 DN 000-041	5630 203 050-000	5822 050 020-021	5630 501 050-000	5822 050 010-021	5630 501 050-000	5820 DN 005-000	6213 500 001-040	582x DN 401-041
582x DN 535 - 680		5630 203 080-000	5822 050 020-021	5630 501 080-000	5822 050 010-021	5630 501 080-000	5820 DN 005-000	6213 500 001-040	-----
582x DN 544 - 041		-----	-----	-----	-----	-----	-----	6213 500 001-040	-----
582x DN 544 - 609	5820 DN 000-041	5630 203 050-000	5822 050 020-021	5630 501 050-000	5822 050 010-021	5630 501 050-000	5820 DN 005-000	6213 500 001-040	582x DN 401-041
582x DN 544 - 680		5630 203 080-000	5822 050 020-021	5630 501 080-000	5822 050 010-021	5630 501 080-000	5820 DN 005-000	6213 500 001-040	-----
582x DN 545 - 041		-----	-----	-----	-----	-----	-----	6213 500 001-040	-----
582x DN 545 - 609	5820 DN 000-041	5630 203 050-000	5822 050 020-021	5630 501 050-000	5822 050 010-021	5630 501 050-000	5820 DN 005-000	6213 500 001-040	582x DN 401-041
582x DN 545 - 680		5630 203 080-000	5822 050 020-021	5630 501 080-000	5822 050 010-021	5630 501 080-000	5820 DN 005-000	6213 500 001-040	-----

(DN = nominal width = 5673 050 730-041)

x = Housing variations

5821 SS-S



5822 S-S



5823 S-SS



5824 SS-SS





### 16.2 Valve insert - Aseptic Double Seat Valve GEMBRA

Nr.	Designation	Material	DN40	DN50	DN65	DN80
	Valve insert		5820 040 000-040	5820 050 000-040	5820 065 000-040	5820 080 000-040
1	Piston plate	KFlex	5821 050 004-040	5821 050 004-040	5821 065 004-040	5821 080 004-040
2	Piston	AISI316L	5821 040 005-040	5821 050 005-040	5821 065 005-040	5821 080 005-040
3	Back-up ring	AISI303	5821 040 009-220	5821 050 009-220	5821 065 009-220	5821 080 009-220
4	Thrust collar	AISI316L	5821 050 010-040	5821 050 010-040	5821 065 010-040	5821 080 010-040
5	Piston plate upper	AISI316L	5821 040 006-040	5821 050 006-040	5821 065 006-040	5821 080 006-040
6	Spindle	AISI303	5821 040 011-220	5821 040 011-220	5821 065 011-220	5821 080 011-220
7	Piston upper	AISI316L	5821 050 007-040	5821 050 007-040	5821 065 007-040	5821 080 007-040
8	Lantern	AISI304	5821 050 014-021	5821 050 014-021	5821 065 014-021	5821 080 014-021
9	Retaining clamp	AISI304	2122 065 100-020	2122 065 100-020	2122 115 100-020	2122 125 100-020
10	Set screw	AISI304	5821 050 022-020	5821 050 022-020	5821 065 022-020	5821 080 022-020
11	Hexagon screw	AISI304	8106 008 016-020	8106 008 016-020	8106 008 016-020	8106 008 016-020
12	Piston rod	AISI303	5821 050 008-220	5821 050 008-220	5821 065 008-220	5821 080 008-220
13	Actuator	----	5820 040 001-021	5820 050 001-021	5820 065 001-021	5820 080 001-021
14	Hexagon socket screw	AISI304	8095 080 020-020	8095 080 020-020	8095 080 020-020	8095 080 020-020
LA1	T-connerctor G1/8	----	8217000008-000	8217000008-000	8217000008-000	8217000008-000
LA2	Elbow screw fitting R1/8	----	8217000004-000	8217000004-000	8217000004-000	8217000004-000
LA3	One-way restrictor	----	8218001020-000	8218001020-000	8218001020-000	8218001020-000
LA4	Elbow screw fitting R1/8	----	8217000004-000	8217000004-000	8217000004-000	8217000004-000





### 16.2 Valve insert - Aseptic Double Seat Valve GEMBRA

Nr.	Designation	Material	DN40	DN50	DN65	DN80
	Seal kit PTFE/EPDM Seal kit PTFE/K-flex	PTFE/EPDM PTFE/K-flex	5820 050 139-000 5820 050 009-000	5820 050 139-000 5820 050 009-000	5820 065 139-000 5820 065 009-000	5820 080 139-000 5820 080 009-000
D1	Seal kit: PTFE/EPDM ----- Seal kit: PTFE/K-flex K-flex - Ring quartered - O-Ring - K-flex seal	EPDM ----- K-flex AISI304 EPDM K-flex	5621 050 020-084  5621 050 020-114 5621 050 021-020 2304 044 030-159 5621 050 022-114	5621 050 020-084  5621 050 020-114 5621 050 021-020 2304 044 030-159 5621 050 022-114	5621 065 010-084  5621 065 010-114 5621 065 011-020 2304 060 026-159 5621 065 012-114	5621 080 010-084  5621 080 010-114 5621 080 011-020 2304 076 026-159 5621 080 012-114
D2	Diaphragm	PTFE	5821 050 021-053	5821 050 021-053	5821 065 021-053	5821 080 021-053
D3	O-Ring	VITON	2304 067 025-184	2304 067 025-184	2304 085 035-184	2304 107 035-184
D4	Plain bearing	XSM	8050 015 007-156	8050 015 007-156	8050 020 015-156	8050 020 015-156
D5	Diaphragm	PTFE	5821 050 020-053	5821 050 020-053	5821 065 020-053	5821 080 020-053
D6	Piston guide bush	PTFE	8051 250 010-060	8051 250 010-060	8051 250 010-060	8051 250 010-060
D7	O-Ring	EPDM 85°Sh	2304 048 035-159	2304 048 035-159	2304 063 035-170	2304 072 035-170
D8	O-Ring	EPDM 70°Sh	2304 011 025-159	2304 011 025-159	2304 013 035-159	2304 013 035-159
D9	O-Ring	EPDM 70°Sh	2304 010 025-055	2304 010 025-055	2304 010 025-055	2304 010 025-055
D10	O-Ring	EPDM 70°Sh	not specified	not specified	not specified	not specified
D11	O-Ring	EPDM 70°Sh	2304 028 035-159	2304 028 035-159	2304 032 035-159	2304 032 035-159
D12	O-Ring	EPDM 85°Sh	2304 041 035-159	2304 041 035-159	2304 054 035-159	2304 066 035-159
D13	Plain bearing	XSM	8050 027 005-156	8050 027 005-156	8050 032 005-156	8050 032 005-156

## 14. Declaration of conformity

Kieselmann GmbH  
Paul-Kieselmann-Str. 4-10  
75438 Knittlingen  
Telefon +49 (0)7043 371-0  
Fax +49 (0)7043 371-125  
www.kieselmann.de

### Konformitätserklärung Manufacturers declaration

nach der EG-Maschinenrichtlinie 2006/42 EG  
in accordance of EC Directive 2006/42 EC

Hersteller: Kieselmann GmbH  
*Manufacturer:*  
Anschrift: Paul-Kieselmann-Str. 4-10  
*Address:* 75438 Knittlingen  
Deutschland  
(Germany)

<u>Produktbezeichnungen:</u>	<u>Product name:</u>
pneum. Antriebe	<i>pneum. Actuator</i>
pneum. Kugelhähne	<i>pneum. Ball cocks</i>
pneum. Scheibenventile	<i>pneum. Butterfly valves</i>
pneum. Einsitzventile	<i>pneum. Single seat valves</i>
pneum. Regelventile	<i>pneum. Control valves</i>
pneum. Drosselventile	<i>pneum. Flow control valves</i>
pneum. Überströmventile	<i>pneum. Overflow valves</i>
pneum. Doppelsitzventile	<i>pneum. Double seat valves</i>
pneum. sterile Balgventile	<i>pneum. Aseptic bellows valves</i>
pneum. Probierventile	<i>pneum. Sampling valves</i>
pneum. Umstellventlie	<i>pneum. Two-way-valves</i>

Das bezeichnete Produkt ist ausschließlich zum Einbau in eine andere Maschine bestimmt. Die Inbetriebnahme ist solange untersagt, bis die Konformität des Endproduktes mit der Richtlinie 2006/42 EG festgestellt ist.

*The product indicated is intended solely for fitting into another machine.*

*Commissioning is prohibited until conformity of the end product with EC directive 2006/42 EC has been confirmed.*

Wir bestätigen die Konformität des oben bezeichneten Produktes mit den Normen:

*We confirm conformity of the products indicated above with the standards:*

**DIN EN ISO 12100-1**  
**DIN EN ISO 12100-2**

Knittlingen, 26. 04. 2010



**Klaus Dohle** Geschäftsführer  
General Director