

## RSH ROTATIVE SPRAY HEAD

RSH series heads are completely made out of stainless steel, with the rotating sphere rolling on two ball bearing rows, to make operation possible in any position. Inner and outer surfaces are carefully machined, cleaned and polished to avoid contamination for bacterial growth. RSH heads are available with three different connections that is a female thread, a clip-on or a weld-on. Their robust and simple design, high quality construction, long trouble-free service and remarkable efficiency have made them very popular for general purpose applications, in thousands of applications all over the world.

### MAINTENANCE & INSPECTION

The low wear design requires minimal maintenance. No spare parts are required. As with all mechanical devices, it is recommended that the unit be regularly inspected for correct operation.

### MINIMUM MANHOLE/FLANGE SIZE

The minimum opening size required for unit insertion is 50 mm

### TECHNICAL DATA

Working pressure	1 – 3 bar (14,5 – 43,5 PSI)
Recommended pressure	2 bar (29 PSI)
Max working temperature	95°C (203 °F)
Wetting radius	max 4,6 mt (6,5 ft)
Impact cleaning radius	max effective 1,4 mt (4 ft)
Lubricant	self-lubricating with the cleaning fluid
Connections	1/2", 3/4", 1", 1"1/4 female thread clip-on or weld-on for pipe ASTM 270



CODE	Flowrate lt / hour			Wetting Radius (m)	Available pattern			dim. (mm)		Pipe Connections (RF)						
	1bar	2bar	3bar		360° " "	180°↑ H	180°↓ L	Ø	H	BSP thread (#)				Clip (#) E ... C	Weld (#) E ... S	
										1/2"	3/4"	1"	1 1/4"			
MR (#)	2.400	3.100	4.000	1,3-2,2	X			24	68	B					E 12,7÷22 C	E 13,5÷22 S
MR (#)	1.600	2.250	2.750	1,3-2,2			X	24	68	B					E 12,7÷22 C	E 13,5÷22 S
TR (#)	4.500	5.500	6.700	2,2-3,4	X			44	/	A	B	C	D	E 22÷38,5 C	E 22÷38,5 S	
TR (#)	4.200	5.100	6.200	2,2-3,4		X		44	/	A	B	C	D	E 22÷38,5 C	E 22÷38,5 S	
TR (#)	4.200	5.100	6.200	2,2-3,4			X	44	/	A	B	C	D	E 22÷38,5 C	E 22÷38,5 S	
ZR (#)	13.000	17.000	19.800	3,2-4,6	X			64	/				D	E 38,5÷40,5 C	E 38,5÷40,5 S	
ZR (#)	10.300	13.800	16.000	3,2-4,6			X	64	/				D	E 38,5÷40,5 C	E 38,5÷40,5 S	

\* for TRD (1"1/4) wetting radius is 2,5-3,6 meter

(#) available from ÷ to on customer request

### COMPLETE CODE

The precise identification of each different head, including size, spray pattern and pipe connection is only obtained combining the different option coding into a complete code.

Please notice examples below

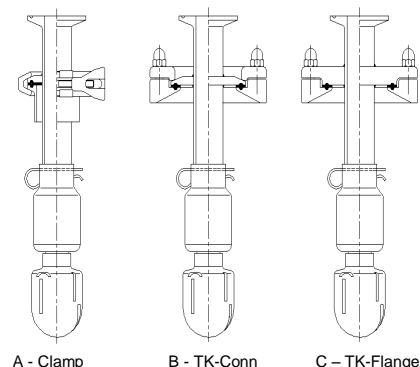
**MRB** or **TRA** or **TRE-180H** or **ZRD-180L**

### Clip-on connection

This model can be assembled onto a fixed pipe entering the tank shell by means of a simple spring retaining pin, and offers a simple way for a quick removal of the head from its location, in those applications where easily performed cleaning is required. The clip end of the head will accept inside a standard 1" ISO pipe, with 25 mm outer diameter.

### Weld-on connection

The opposite case, where the head can be left in place between two washing cycles, or where the complete assembly of pipe and washing head can be removed from the top can require the installation of a weld-on pipe. The connection end of the pipe will match a standard ISO pipe with 25 mm outer diameter and 1.2 mm thickness



A - Clamp

B - TK-Conn

C - TK-Flange

**Get the information you need and more at : [info@aerinox.it](mailto:info@aerinox.it)**

In the interests of development and improvement of the product, we reserve the right to change the specifications without prior notice.

**Aer Inox s.r.l.**

26010 FIESCO Via Gerola n.4 -CREMONA- Italy  
Tel. +39.0374.370828 Fax +39.0374.370833  
e-mail : [info@aerinox.it](mailto:info@aerinox.it) http : [www.aerinox.it](http://www.aerinox.it)