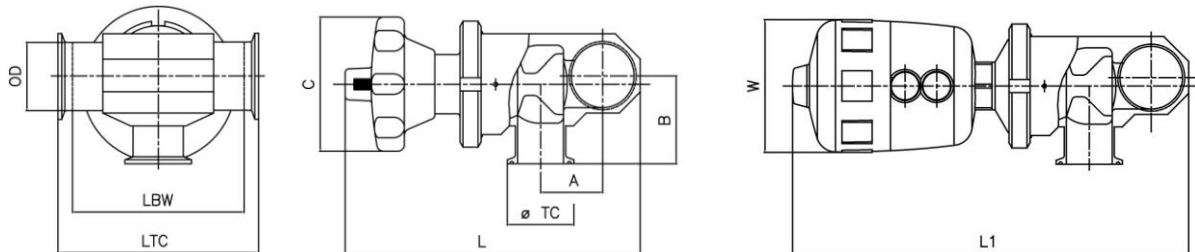


VA-TZDL T Zero Dead Leg valve dimensions



Dimensions table

CODE	ØTC	LOOP	OD	A	B	C	LBW	L	L1	W
VZA-075..H..H-(..)-71A	25,0	¾"	19,05	21	50	50	104	95	140	53
VZA-075..J..H-(..)-71A	25,0	1"	25,4	24	55	50	104	105	150	53
VZA-075..M..H-(..)-71A	25,0	1 ½"	38,1	31	60	50	104	105	150	53
VZA-075..N..H-(..)-71A	25,0	2"	50,8	37	65	50	104	130	175	53
VZA-075..O..H-(..)-71A	25,0	2 ½"	63,5	44	75	50	104	145	190	53
VZA-075..P..H-(..)-71A	25,0	3"	76,2	51	80	50	104	155	200	53
VZA-100..J..J-(..)-71A	50,4	1"	25,4	28	55	100	122	185	235	80
VZA-100..M..J-(..)-71A	50,4	1 ½"	38,1	34	61	100	122	195	245	80
VZA-100..N..J-(..)-71A	50,4	2"	50,8	40	67	100	122	210	260	80
VZA-100..O..J-(..)-71A	50,4	2 ½"	63,5	47	73	100	122	225	275	80
VZA-100..P..J-(..)-71A	50,4	3"	76,2	54	80	100	122	250	330	80
VZA-150..M..M-(..)-71A	50,4	1 ½"	38,1	41	59	100	136	210	290	101
VZA-150..N..M-(..)-71A	50,4	2"	50,8	46	66	100	136	225	300	101
VZA-150..O..M-(..)-71A	50,4	2 ½"	63,5	53	72	100	136	235	320	101
VZA-150..P..M-(..)-71A	50,4	3"	76,2	60	78	100	136	250	336	101
VZA-200..N..N-(..)-71A	64,0	2"	50,8	53	74	100	160	240	365	126
VZA-200..O..N-(..)-71A	64,0	2 ½"	63,5	59	80	100	160	255	375	126
VZA-200..P..N-(..)-71A	64,0	3"	76,2	66	86	100	160	265	390	126

code B : butt weld code A : clamped (..) code T : TFM PTFE (..) code X : Silicone (..) code MD : manual actuator (..) code PB : pneumatic actuator

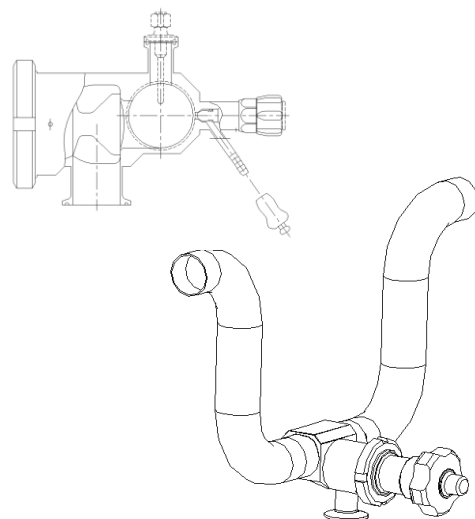
Standard execution : LBW with butt weld connection on loop and clamped outlet port

Special executions available on request :

- LTC with clamp connection on loop
- TFM 1600 PTFE bellow diaphragm for high viscosity products
- Outlet port butt weld or reduct
- CIP/SIP connection clamped or with intercepting valve
- Sample valve welded on main body
- PT100 clamp connection
- Stainless steel handle / pneumatic actuator
- Adjustable flow regulator
- Mechanical / inductive control box

BENEFITS

- Combination of many different nominal diameter
- Customer's specific design
- Optimized drainability
- Minimized dead leg
- Reduction of fittings, tubing, and field welds in the system
- Reduces surface contact, hold up volume



The application of VA-TZDL valves with U-bend welded is mainly for point of use on distribution loop for pharma

Get the information you need and more at : info@erreinox.it

In the interests of development and improvement of the product, we reserve the right to change the specifications without prior notice.